

CSI

Model PTD-203

Delimber



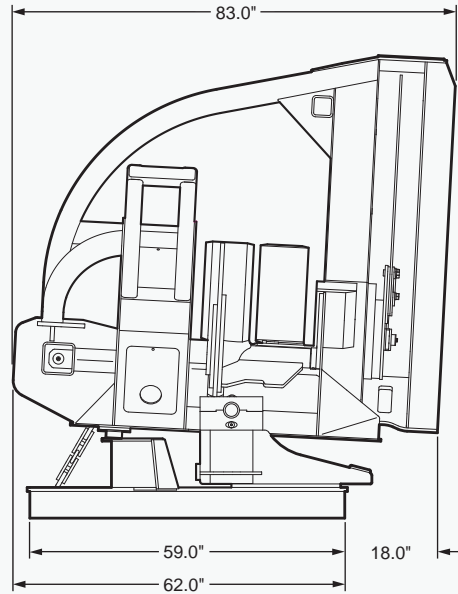
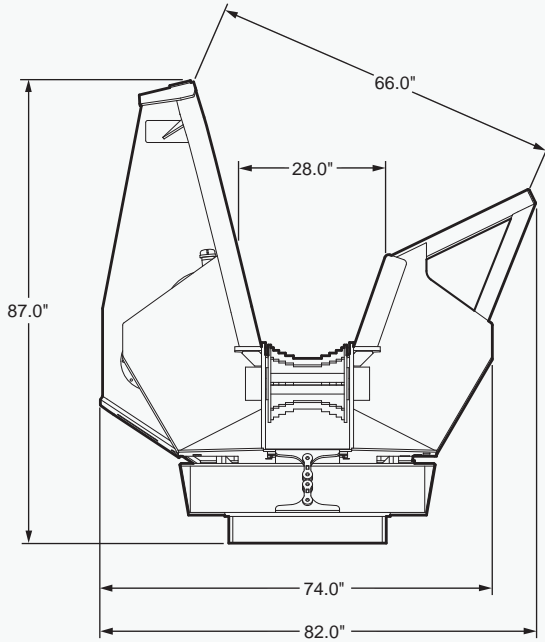
The PTD-203 is a rugged built, 3-knife pull-thru delimeter with topping saw designed with a low cradle for maximum production used in hardwood or pine. The wide throat opening and newly designed upper frame assembly make loading and pull-thru easy and smooth. The PTD-203 is lightweight and compact but does a big job delimiting.



Cutting Systems, Inc. Call Toll Free: 1-877-844-1274
email@cuttingsys.com

www.cuttingsys.com

PTD-203 DIMENSIONS



PTD-203 SPECIFICATIONS

Knives	3 - Long Life - Hi-Alloy Wear Hardening Steel
Maximum Diameter Incircled	18" (Larger Diameters Accommodated, But Not Completely Incircled)
Minimum Diameter Incircled	3"
Saw Bar	44" Roller Tip
Saw Chain	3/4 Pitch - 68 Links
Saw Chain Drive Sprocket	9 Tooth
Saw Chain Drive	Direct
Saw Chain Oil Reservoir Capacity	2.5 Gallons
Saw Chain Oiler	Automatic, Piston Actuated
Weight	6,500 lbs.
Pull Assist Roller	15" Dia.
Frame/Body Construction	100% Hi-Alloy Steel



Cutting Systems, Inc.
774 Zeb Road
Union Grove, NC 28689

Call Toll Free: 1-877-844-1274

email@cuttingsys.com

www.cuttingsys.com

Cutting Systems, Inc. reserves the right to change specifications and to add improvements to our products at any time without notice or obligation.

2009-09