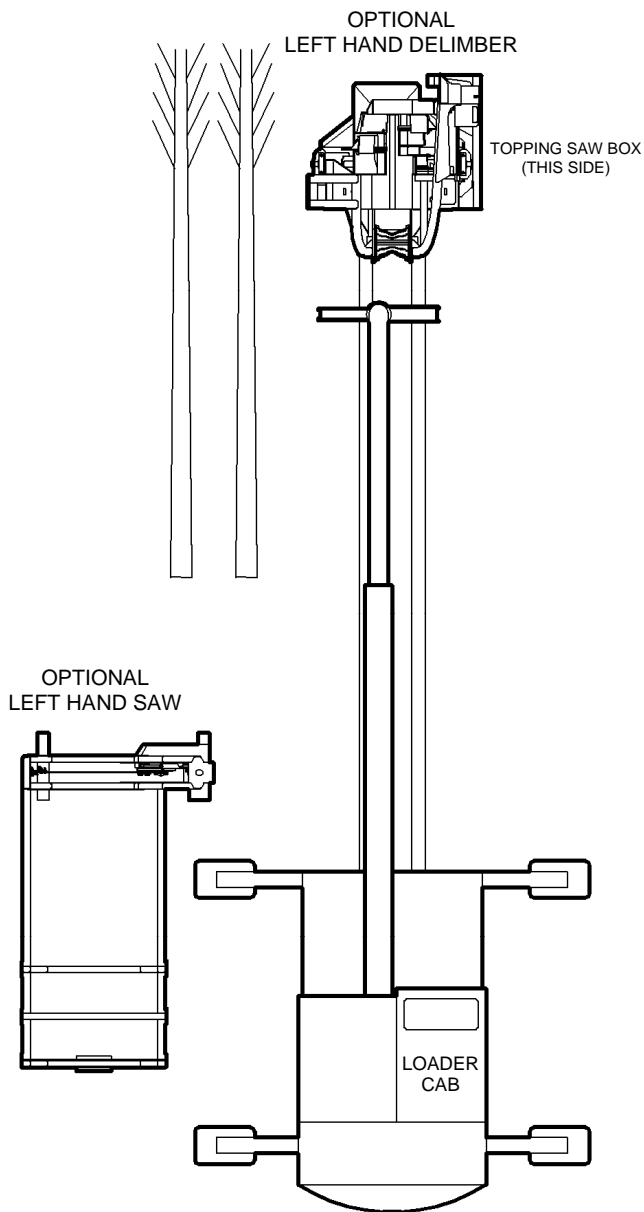


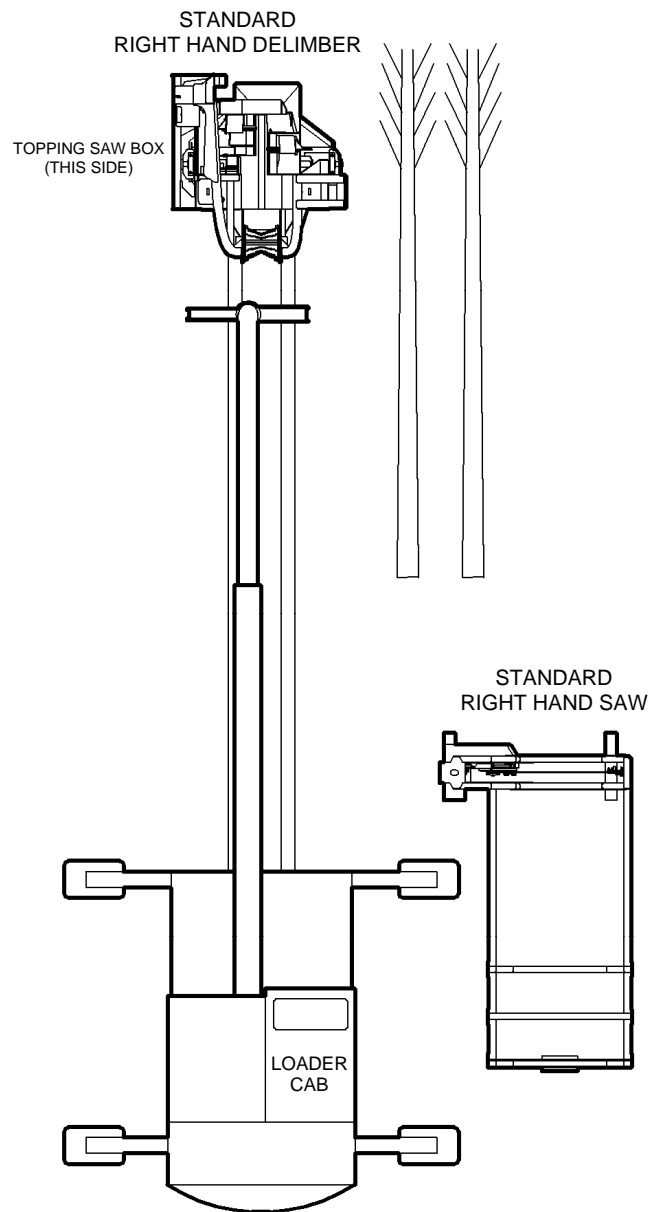
# EQUIPMENT CONFIGURATION AID

Review the diagrams below to determine the configuration of the saw and delimeter required for your job.

## LEFT HAND LOAD OPERATION



## RIGHT HAND LOAD OPERATION



Cutting Systems, Inc.  
774 Zeb Road  
Union Grove, NC 28689

Call Toll Free: 1-877-844-1274  
email@cuttingsys.com

[www.cuttingsys.com](http://www.cuttingsys.com)

*Cutting Systems, Inc. reserves the right to change specifications and to add improvements to our products at any time with notice or obligation.*

2010-12