

CSI

Model PTD-496

**Delimber**  
*Thinning Pro*



The CSI 496 Thinning Pro is a rugged built 3-knife pull-thru delimber with topping saw designed for use in first and second thinnings. The 496 Thinning Pro has a large capacity design to handle big grapple loads of small stems. Like all CSI pull-thru delimiters, the 496 Thinning Pro was engineered for maximum productivity, reliability and long component life.

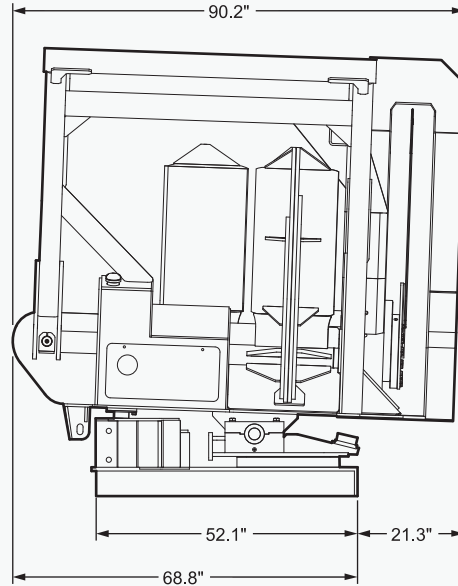
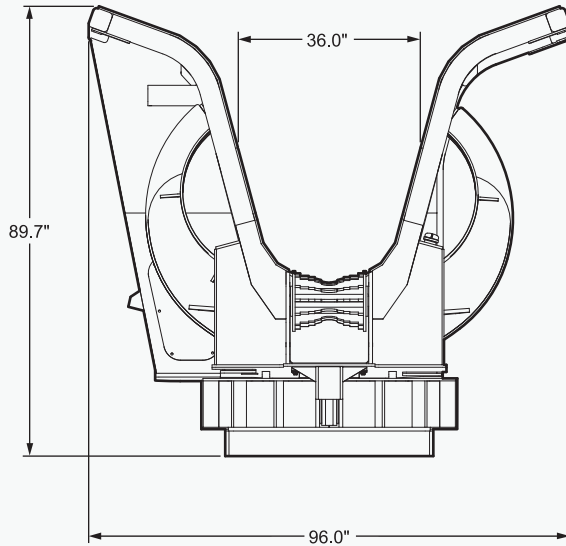
**No doubt about it. You deserve it!!**



Cutting Systems, Inc. Call Toll Free: 1-877-844-1274  
email@cuttingsys.com

www.cuttingsys.com

## PTD-496 DIMENSIONS



## PTD-496 SPECIFICATIONS

Knives	3 - Long Life - Hi-Alloy Wear Hardening Steel
Maximum Diameter Incircled	28"
Minimum Diameter Incircled	7"
Saw Bar	44" Roller Tip
Saw Chain	3/4 Pitch - 68 Links
Saw Chain Drive Sprocket	9 Tooth
Saw Chain Drive	Direct
Saw Chain Oil Reservoir Capacity	3.0 Gallons
Saw Chain Oiler	Automatic, Piston Actuated
Weight	7,000 lbs.
Pull Assist Roller	15" Dia.
Frame/Body Construction	100% Hi-Alloy Steel



Cutting Systems, Inc.  
774 Zeb Road  
Union Grove, NC 28689

Call Toll Free: 1-877-844-1274

email@cuttingsys.com

www.cuttingsys.com

*Cutting Systems, Inc. reserves the right to change specifications and to add improvements to our products at any time without notice or obligation.*

2015-05